

SINGULAR FRACTIONAL LINEAR SYSTEMS AND ELECTRICAL CIRCUITS

TADEUSZ KACZOREK

Faculty of Electrical Engineering
Białystok Technical University, ul. Wiejska 45D, 15–351 Białystok, Poland
e-mail: kaczorek@isep.pw.edu.pl

A new class of singular fractional linear systems and electrical circuits is introduced. Using the Caputo definition of the fractional derivative, the Weierstrass regular pencil decomposition and the Laplace transformation, the solution to the state equation of singular fractional linear systems is derived. It is shown that every electrical circuit is a singular fractional system if it contains at least one mesh consisting of branches only with an ideal supercapacitor and voltage sources or at least one node with branches with supercoils.

Keywords: singular, fractional system, linear circuit, regular pencil, supercapacitor, supercoil.

1. Introduction

Singular (descriptor) linear systems were addressed in many papers and books (Dodig and Stosic, 2009; Dai, 1989; Fahmy and O'Reill, 1989; Kaczorek, 1992; 2004; 2007a; 2007b; Kucera and Zagalak, 1988; Van Dooren, 1979). The eigenvalues and invariants assignment by state and output feedbacks were investigated by Dodig and Stosic (2009), Dai (1989), Fahmy and O'Reill (1989), or Kaczorek (1992; 2004), and the realization problem for singular positive continuous-time systems with delays by Kaczorek (2007b). The computation of Kronecker's canonical form of a singular pencil was analyzed by Van Dooren (1979).

Fractional positive continuous-time linear systems were addressed by Kaczorek (2008) along with positive linear systems with different fractional orders (Kaczorek, 2010). An analysis of fractional linear electrical circuits was presented in another work of Kaczorek (2011) and some selected problems in theory of fractional linear systems in a monograph by the same author (Kaczorek, 2009).

In this paper a new class of singular fractional linear systems and electrical circuits will be introduced and their solution of state equations will be derived. The paper is organized as follows. In Section 2 the Caputo definition of the fractional derivative and the solution to the state equation of the fractional linear system are recalled. The solution of the state equation of a singular fractional linear system is derived in Section 3 using the Weierstrass pencil

decomposition and the Laplace transform. Singular fractional linear electrical circuits are introduced in Section 4. Concluding remarks are given in Section 5.

To the best of the author's knowledge, singular fractional linear systems and electrical circuits have not been considered yet.

The following notation will be used in the paper. The set of $n \times m$ real matrices will be denoted by $\mathbb{R}^{n \times m}$ and $\mathbb{R}^n := \mathbb{R}^{n \times 1}$. The set of $m \times n$ real matrices with nonnegative entries will be denoted by $\mathbb{R}_+^{m \times n}$ and $\mathbb{R}_+^n := \mathbb{R}_+^{n \times 1}$. The set of nonnegative integers will be denoted by \mathbb{Z}_+ and the $n \times n$ identity matrix by I_n .

2. Preliminaries

The following Caputo definition of the fractional derivative will be used (Podlubny, 1999; Kaczorek, 2009):

$$\frac{d^\alpha}{dt^\alpha} f(t) = \frac{1}{\Gamma(n-\alpha)} \int_0^t \frac{f^{(n)}(\tau)}{(t-\tau)^{\alpha+1-n}} d\tau, \quad (1)$$
$$n-1 < \alpha \leq n \in \mathbb{N} = \{1, 2, \dots\},$$

where $\alpha \in \mathbb{R}$ is the order of the fractional derivative,

$$f^{(n)}(\tau) = \frac{d^n f(\tau)}{d\tau^n},$$

and

$$\Gamma(x) = \int_0^\infty e^{-t} t^{x-1} dt$$

is the gamma function.

Consider the continuous-time fractional linear system described by the state equation

$$\frac{d^\alpha}{dt^\alpha}x(t) = Ax(t) + Bu(t), \quad 0 < \alpha \leq 1, \quad (2)$$

where $x(t) \in \mathbb{R}^n$ and $u(t) \in \mathbb{R}^m$ are the state and input vectors, respectively, and $A \in \mathbb{R}^{n \times n}$, $B \in \mathbb{R}^{n \times m}$.

Theorem 1. *The solution of Eqn. (2) is given by*

$$x(t) = \Phi_0(t)x_0 + \int_0^t \Phi(t - \tau)Bu(\tau) d\tau, \quad x(0) = x_0, \quad (3)$$

where

$$\Phi_0(t) = \sum_{k=0}^{\infty} \frac{A^k t^{k\alpha}}{\Gamma(k\alpha + 1)}, \quad (4)$$

$$\Phi(t) = \sum_{k=0}^{\infty} \frac{A^k t^{(k+1)\alpha-1}}{\Gamma[(k+1)\alpha]}. \quad (5)$$

The proof was given by Kaczorek (2008; 2009).

Remark 1. From (4) and (5) for $\alpha = 1$ we have

$$\Phi_0(t) = \Phi(t) = \sum_{k=0}^{\infty} \frac{(At)^k}{\Gamma(k+1)} = e^{At}.$$

3. Singular fractional linear systems

Consider a singular fractional linear system described by the state equations

$$E \frac{d^\alpha}{dt^\alpha}x(t) = Ax(t) + Bu(t), \quad (6a)$$

$$y(t) = Cx(t) + Du(t), \quad (6b)$$

where $x(t) \in \mathbb{R}^n$, $u(t) \in \mathbb{R}^m$, $y(t) \in \mathbb{R}^p$ are respectively the state, input and output vectors, and $E, A \in \mathbb{R}^{n \times n}$, $B \in \mathbb{R}^{n \times m}$, $C \in \mathbb{R}^{p \times n}$, $D \in \mathbb{R}^{p \times m}$.

The initial condition for (6a) is given by

$$x(0) = x_0. \quad (6c)$$

It is assumed that the pencil of the pair (E, A) is regular, i.e.,

$$\det[Es - A] \neq 0, \quad (7)$$

for some $s \in \mathbb{C}$ (the field of complex numbers). It is well known (Gantmacher, 1960; Kaczorek, 2007a, p. 92) that, if the pencil is regular, then there exists a pair of nonsingular matrices $P, Q \in \mathbb{R}^{n \times n}$ such that

$$P[Es - A]Q = \begin{bmatrix} I_{n_1} & 0 \\ 0 & N \end{bmatrix} s - \begin{bmatrix} A_1 & 0 \\ 0 & I_{n_2} \end{bmatrix}, \quad (8)$$

where n_1 is equal to the degree of the polynomial $\det[Es - A]$, $A_1 \in \mathbb{R}^{n_1 \times n_1}$, $N \in \mathbb{R}^{n_2 \times n_2}$ is a nilpotent

matrix with the index μ (i.e., $N^\mu = 0$ and $N^{\mu-1} \neq 0$) and $n_1 + n_2 = n$.

Applying the Laplace transform (\mathcal{L}) to Eqn. (6a) with zero initial conditions $x_0 = 0$, we obtain

$$[Es^\alpha - A]X(s) = BU(s), \quad (9)$$

where

$$X(s) = \mathcal{L}[x(t)] = \int_0^\infty x(t)e^{-st} dt$$

and $U(s) = \mathcal{L}[u(t)]$. By the assumption (7), the pencil $[Es^\alpha - A]$ is regular and we may apply the decomposition (8) to Eqn. (6a).

Premultiplying (6a) by the matrix $P \in \mathbb{R}^{n \times n}$ and introducing the new state vector

$$\bar{x}(t) = Q^{-1}x(t) = \begin{bmatrix} x_1(t) \\ x_2(t) \end{bmatrix}, \quad (10)$$

where $x_1(t) \in \mathbb{R}^{n_1}$ and $x_2(t) \in \mathbb{R}^{n_2}$, we obtain

$$\frac{d^\alpha}{dt^\alpha}x_1(t) = A_1x_1(t) + B_1u(t), \quad (11a)$$

$$N \frac{d^\alpha}{dt^\alpha}x_2(t) = x_2(t) + B_2u(t), \quad (11b)$$

where

$$PB = \begin{bmatrix} B_1 \\ B_2 \end{bmatrix}, \quad B_1 \in \mathbb{R}^{n_1 \times m}, B_2 \in \mathbb{R}^{n_2 \times m}. \quad (11c)$$

Using (3) we obtain the solution to Eqn. (11a) in the form

$$x_1(t) = \Phi_{10}(t)x_{10} + \int_0^t \Phi_{11}(t - \tau)B_1u(\tau) d\tau, \quad (12a)$$

where

$$\Phi_{10}(t) = \sum_{k=0}^{\infty} \frac{A_1^k t^{k\alpha}}{\Gamma(k\alpha + 1)}, \quad (12b)$$

$$\Phi_{11}(t) = \sum_{k=0}^{\infty} \frac{A_1^k t^{(k+1)\alpha-1}}{\Gamma[(k+1)\alpha]}, \quad (12c)$$

and $x_{10} \in \mathbb{R}^{n_1}$ is the initial condition for (11a) defined by

$$\begin{bmatrix} x_{10} \\ x_{20} \end{bmatrix} = Q^{-1}x_0, \quad x_0 = x(0). \quad (12d)$$

To find the solution of Eqn. (11b), we apply the Laplace transform and obtain

$$Ns^\alpha X_2(s) - Ns^{\alpha-1}x_{20} = X_2(s) + B_2U(s) \quad (13a)$$

since (Dai, 1989; Kaczorek, 2008), for $0 < \alpha < 1$,

$$\mathcal{L} \left[\frac{d^\alpha}{dt^\alpha}x_2(t) \right] = s^\alpha X_2(s) - s^{\alpha-1}x_{20}, \quad (13b)$$

where $X_2(s) = \mathcal{L}[x_2(t)]$. From (13) we have

$$X_2(s) = [Ns^\alpha - I_{n_2}]^{-1}(B_2U(s) + Ns^{\alpha-1}x_{20}). \quad (14)$$

It is easy to check that

$$[Ns^\alpha - I_{n_2}]^{-1} = -\sum_{i=0}^{\mu-1} N^i s^{i\alpha} \quad (15)$$

since

$$[Ns^\alpha - I_{n_2}] \left(-\sum_{i=0}^{\mu-1} N^i s^{i\alpha} \right) = I_{n_2} \quad (16)$$

and $N^i = 0$ for $i = \mu, \mu + 1, \dots$

Substitution of (15) into (14) yields

$$X_2(s) = -B_2U(s) - \frac{Nx_{20}}{s^{1-\alpha}} - \sum_{i=1}^{\mu-1} \left[N^i B_2 s^{i\alpha} U(s) + N^{i+1} s^{(i+1)\alpha-1} x_{20} \right]. \quad (17)$$

Applying the inverse Laplace transform (\mathcal{L}^{-1}) to (17) and then the convolution theorem we obtain, for $1 - \alpha > 0$,

$$x_2(t) = \mathcal{L}^{-1}[X_2(s)] = -B_2u(t) - Nx_{20} \frac{t^{-\alpha}}{\Gamma(1-\alpha)} - \sum_{i=1}^{\mu-1} \left[N^i B_2 \frac{d^{i\alpha}}{dt^{i\alpha}} u(t) + N^{i+1} \frac{d^{(i+1)\alpha-1}}{dt^{(i+1)\alpha-1}} x_{20} \right] \quad (18)$$

since

$$\mathcal{L}^{-1} \left[\frac{1}{s^{\alpha+1}} \right] = \frac{t^\alpha}{\Gamma(1+\alpha)}$$

for $\alpha + 1 > 0$.

Therefore, the following theorem has been proved.

Theorem 2. The solution to Eqn. (6a) with the initial condition (6c) has the form

$$x(t) = Q \begin{bmatrix} x_1(t) \\ x_2(t) \end{bmatrix}, \quad (19)$$

where $x_1(t)$ and $x_2(t)$ are given by (12) and (18), respectively.

Knowing the solution (19), we can find the output $y(t)$ of the system using the formula

$$y(t) = CQ \begin{bmatrix} x_1(t) \\ x_2(t) \end{bmatrix} + Du(t). \quad (20)$$

4. Singular fractional electrical circuits

Let the current $i_C(t)$ in the supercapacitor with the capacity C be the α -th order derivative of its charge $q(t)$ (Kaczorek, 2011),

$$i_C(t) = \frac{d^\alpha q(t)}{dt^\alpha}. \quad (21)$$

Taking into account that $q(t) = Cu_C(t)$, we obtain

$$i_C(t) = C \frac{d^\alpha u_C(t)}{dt^\alpha}, \quad (22)$$

where $u_C(t)$ is the capacitor voltage.

Similarly, let the voltage $u_L(t)$ of the supercoil (inductor) with the inductance L be the β -th order derivative of its magnetic flux $\psi(t)$,

$$u_L(t) = \frac{d^\beta \Psi(t)}{dt^\beta}. \quad (23)$$

Taking into account that $\psi(t) = Li_L(t)$ we obtain

$$u_L(t) = L \frac{d^\beta i_L(t)}{dt^\beta}, \quad (24)$$

where $i_L(t)$ is the current of the supercoil.

Example 1. Consider the electrical circuit shown in Fig. 1 with given resistance R , capacitances C_1, C_2, C_3 and source voltages e_1 and e_2 .

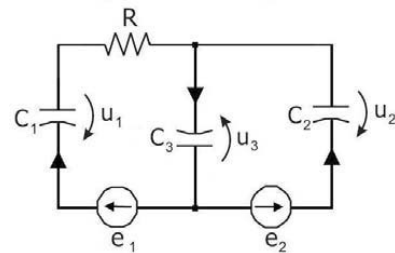


Fig. 1. Electrical circuit of Example 1.

Using Kirchhoff's laws, for the electrical circuit we can write the equations

$$\begin{aligned} e_1 &= RC_1 \frac{d^\alpha u_1}{dt^\alpha} + u_1 + u_3, \\ C_1 \frac{d^\alpha u_1}{dt^\alpha} + C_2 \frac{d^\alpha u_2}{dt^\alpha} - C_3 \frac{d^\alpha u_3}{dt^\alpha} &= 0, \\ e_2 &= u_2 + u_3. \end{aligned} \quad (25)$$

They (25) can be rewritten in the form

$$\begin{bmatrix} RC_1 & 0 & 0 \\ C_1 & C_2 & -C_3 \\ 0 & 0 & 0 \end{bmatrix} \frac{d^\alpha}{dt^\alpha} \begin{bmatrix} u_1 \\ u_2 \\ u_3 \end{bmatrix} = \begin{bmatrix} -1 & 0 & -1 \\ 0 & 0 & 0 \\ 0 & -1 & -1 \end{bmatrix} \begin{bmatrix} u_1 \\ u_2 \\ u_3 \end{bmatrix} + \begin{bmatrix} 1 & 0 \\ 0 & 0 \\ 0 & 1 \end{bmatrix} \begin{bmatrix} e_1 \\ e_2 \end{bmatrix}. \quad (26)$$

In this case we have

$$\begin{aligned}
 E &= \begin{bmatrix} RC_1 & 0 & 0 \\ C_1 & C_2 & -C_3 \\ 0 & 0 & 0 \end{bmatrix}, \\
 A &= \begin{bmatrix} -1 & 0 & -1 \\ 0 & 0 & 0 \\ 0 & -1 & -1 \end{bmatrix}, \\
 B &= \begin{bmatrix} 1 & 0 \\ 0 & 0 \\ 0 & 1 \end{bmatrix}.
 \end{aligned} \tag{27}$$

Note that the matrix E is singular ($\det E = 0$) but the pencil

$$\begin{aligned}
 \det[Es^\alpha - A] &= \begin{vmatrix} RC_1s^\alpha + 1 & 0 & 1 \\ C_1s^\alpha & C_2s^\alpha & -C_3s^\alpha \\ 0 & 1 & 1 \end{vmatrix} \\
 &= (RC_1s^\alpha + 1)(C_2 + C_3)s^\alpha + C_1s^\alpha
 \end{aligned} \tag{28}$$

is regular. Therefore, the electrical circuit is a singular fractional linear system. \blacklozenge

Remark 2. If the electrical circuit contains at least one mesh consisting of branches with only ideal supercapacitors and voltage sources, then its matrix E is singular since the row corresponding to this mesh is a zero row. This follows from the fact that the equation written with the use of Kirchhoff's voltage law is an algebraic one.

Example 2. Consider the electrical circuit shown in Fig. 2 with given resistances R_1, R_2, R_3 , inductances L_1, L_2, L_3 and source voltages e_1 and e_2 .

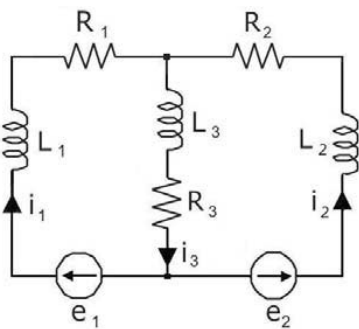


Fig. 2. Electrical circuit of Example 2.

Using Kirchhoff's laws we can write, the equations

$$\begin{aligned}
 e_1 &= R_1i_1 + L_1 \frac{d^\beta i_1}{dt^\beta} + R_3i_3 + L_3 \frac{d^\beta i_3}{dt^\beta}, \\
 e_2 &= R_2i_2 + L_2 \frac{d^\beta i_2}{dt^\beta} + R_3i_3 + L_3 \frac{d^\beta i_3}{dt^\beta} \\
 i_1 + i_2 - i_3 &= 0.
 \end{aligned} \tag{29}$$

Equations (29) can be written in the form

$$\begin{aligned}
 \begin{bmatrix} L_1 & 0 & L_3 \\ 0 & L_2 & L_3 \\ 0 & 0 & 0 \end{bmatrix} \frac{d^\beta}{dt^\beta} \begin{bmatrix} i_1 \\ i_2 \\ i_3 \end{bmatrix} \\
 = \begin{bmatrix} -R_1 & 0 & -R_3 \\ 0 & -R_2 & -R_3 \\ 1 & 1 & -1 \end{bmatrix} \begin{bmatrix} i_1 \\ i_2 \\ i_3 \end{bmatrix} \\
 + \begin{bmatrix} 1 & 0 \\ 0 & 1 \\ 0 & 0 \end{bmatrix} \begin{bmatrix} e_1 \\ e_2 \end{bmatrix}.
 \end{aligned} \tag{30}$$

In this case we have

$$\begin{aligned}
 E &= \begin{bmatrix} L_1 & 0 & L_3 \\ 0 & L_2 & L_3 \\ 0 & 0 & 0 \end{bmatrix}, \\
 A &= \begin{bmatrix} -R_1 & 0 & -R_3 \\ 0 & -R_2 & -R_3 \\ 1 & 1 & -1 \end{bmatrix}, \\
 B &= \begin{bmatrix} 1 & 0 \\ 0 & 1 \\ 0 & 0 \end{bmatrix}.
 \end{aligned} \tag{31}$$

Note that the matrix E is singular but the pencil

$$\begin{aligned}
 \det[Es^\beta - A] &= \begin{vmatrix} L_1s^\beta + R_1 & 0 & L_3s^\beta + R_3 \\ 0 & L_2s^\beta + R_2 & L_3s^\beta + R_3 \\ -1 & -1 & 1 \end{vmatrix} \\
 &= [L_1(L_2 + L_3) + L_2L_3]s^{2\beta} \\
 &\quad + [(L_2 + L_3)R_1 + (L_1 + L_3)R_2 + (L_1 + L_2)R_3]s^\beta \\
 &\quad + R_1(R_2 + R_3) + R_2R_3
 \end{aligned} \tag{32}$$

is regular. Therefore, the electrical circuit is a singular fractional linear system. \blacklozenge

Remark 3. If the electrical circuit contains at least one node with branches with supercoils, then its matrix E is singular since it has at least one zero row. This follows from the fact that the equation written using Kirchhoff's current law for this node is an algebraic one.

In the general case we have the following theorem.

Theorem 3. Every electrical circuit is a singular fractional system if it contains at least one mesh consisting of branches with only ideal supercapacitors and voltage sources or at least one node with branches with supercoils.

Proof. By Remark 1 the matrix E of the system is singular if the electrical circuit contains at least one mesh consisting of branches with only ideal supercapacitors and voltage sources. Similarly, by Remark 2 the matrix E is singular if the electrical circuit contains at least one node with branches with supercoils. \blacksquare

Using the solution (19) of Eqn. (6a) we may find the voltages on the supercapacitors and currents in the supercoils in transient states of singular fractional linear electrical circuits. Knowing the voltages and currents and using (20), we may also find any currents and voltages in singular fractional linear electrical circuits.

Example 3. (Continuation of Example 1) Using one of the well-known methods (Van Dooren, 1979; Dai, 1989; Kaczorek, 2007a) for the pencil (28), we can find the matrices

$$P = \begin{bmatrix} \frac{1}{RC_1} & 0 & -\frac{C_2}{RC_1(C_2+C_3)} \\ -\frac{1}{R(C_2+C_3)} & \frac{1}{C_2+C_3} & \frac{C_2}{R(C_2+C_3)^2} \\ 0 & 0 & -1 \end{bmatrix}, \quad (33)$$

$$Q = \begin{bmatrix} 1 & 0 & 0 \\ 0 & 1 & \frac{C_3}{C_2+C_3} \\ 0 & -1 & \frac{C_2}{C_2+C_3} \end{bmatrix},$$

which transform it to the canonical form (8) with

$$A_1 = \begin{bmatrix} -\frac{1}{RC_1} & \frac{1}{RC_1} \\ \frac{1}{R(C_2+C_3)} & -\frac{1}{R(C_2+C_3)} \end{bmatrix},$$

$$N = [0], \quad n_1 = 2, \quad n_2 = 1. \quad (34)$$

Using the matrix B given by (27), (33) and (11c) we obtain

$$\begin{bmatrix} B_1 \\ B_2 \end{bmatrix} = PB = \begin{bmatrix} \frac{1}{RC_1} & -\frac{C_2}{RC_1(C_2+C_3)} \\ -\frac{1}{R(C_2+C_3)} & \frac{C_2}{R(C_2+C_3)} \\ 0 & -1 \end{bmatrix}. \quad (35)$$

From (12) we have

$$x_1(t) = \Phi_{10}(t)x_{10} + \int_0^t \Phi_{11}(t-\tau)B_1u(\tau) d\tau \quad (36)$$

for any given initial condition $x_{10} \in \mathbb{R}^{n_1}$ and input $u(t)$, where

$$\Phi_{10}(t) = \sum_{k=0}^{\infty} \frac{A_1^k t^{k\alpha}}{\Gamma(k\alpha + 1)},$$

$$\Phi_{11}(t) = \sum_{k=0}^{\infty} \frac{A_1^k t^{(k+1)\alpha-1}}{\Gamma[(k+1)\alpha]}, \quad 0 < \alpha < 1.$$

In this case, using (18) we obtain

$$x_2(t) = -B_2u(t) \quad (37)$$

since $N = [0]$.

In much the same way we may find currents in the supercoils of the singular fractional electrical circuit shown in Fig. 2.

5. Concluding remarks

Singular fractional linear systems and electrical circuits have been introduced. Using the Caputo definition of the fractional derivative, the Weierstrass regular pencil decomposition and the Laplace transform, the solution to the state equation of singular fractional linear system was derived (Theorem 2). Singular fractional linear electrical circuits were analyzed. It was shown that every electrical circuit is a singular fractional system if it contains at least one mesh consisting of branches with only ideal supercapacitors and voltage sources or at least one node with branches with supercoils (Theorem 3). The discussion was illustrated by singular linear electrical circuits. It can be extended to singular fractional linear systems with singular pencils.

An open problem is extension of the results to positive singular fractional linear systems and singular positive linear systems with different fractional orders. Linear systems with different fractional orders are described by (Kaczorek, 2010)

$$\begin{bmatrix} \frac{d^\alpha x_1}{dt^\alpha} \\ \frac{d^\beta x_2}{dt^\beta} \end{bmatrix} = \begin{bmatrix} A_{11} & A_{12} \\ A_{21} & A_{22} \end{bmatrix} \begin{bmatrix} x_1 \\ x_2 \end{bmatrix} + \begin{bmatrix} B_1 \\ B_2 \end{bmatrix} u,$$

$$p-1 < \alpha < p, \quad q-1 < \beta < q, \quad p, q \in \mathbb{N}, \quad (38)$$

where $x_1 \in \mathbb{R}^{n_1}$, $x_2 \in \mathbb{R}^{n_2}$ are the state vectors and $A_{ij} \in \mathbb{R}^{n_i \times n_j}$, $B_i \in \mathbb{R}^{n_i \times m}$, $i, j = 1, 2$, and $u \in \mathbb{R}^m$ is the input vector. The initial conditions for (38) have the form $x_1(0) = x_{10}$ and $x_2(0) = x_{20}$.

Acknowledgment

This work has been supported by the Ministry of Science and Higher Education in Poland under Grant No. NN514 1939 33.

References

- Dodig, M. and Stosic, M. (2009). Singular systems state feedbacks problems, *Linear Algebra and Its Applications* **431**(8): 1267–1292.
- Dai, L. (1989). *Singular Control Systems*, Springer-Verlag, Berlin.

- Fahmy, M.H and O'Reill J. (1989). Matrix pencil of closed-loop descriptor systems: Infinite-eigenvalues assignment, *International Journal of Control* **49**(4): 1421–1431.
- Gantmacher, F.R. (1960). *The Theory of Matrices*, Chelsea Publishing Co., New York, NY.
- Kaczorek, T. (1992). *Linear Control Systems*, Vol. 1, Research Studies Press, John Wiley, New York, NY.
- Kaczorek, T. (2004). Infinite eigenvalue assignment by output-feedbacks for singular systems, *International Journal of Applied Mathematics and Computer Science* **14**(1): 19–23.
- Kaczorek, T. (2007a). *Polynomial and Rational Matrices. Applications in Dynamical Systems Theory*, Springer-Verlag, London.
- Kaczorek, T. (2007b). Realization problem for singular positive continuous-time systems with delays, *Control and Cybernetics* **36**(1): 47–57.
- Kaczorek, T. (2008). Fractional positive continuous-time linear systems and their reachability, *International Journal of Applied Mathematics and Computer Science* **18**(2): 223–228, DOI:10.2478/v10006-008-0020-0.
- Kaczorek, T. (2009). *Selected Problems in the Theory of Fractional Systems*, Białystok Technical University, Białystok, (in Polish).
- Kaczorek, T. (2010). Positive linear systems with different fractional orders, *Bulletin of the Polish Academy of Sciences: Technical Sciences* **58**(3): 453–458.
- Kaczorek, T. (2011). Positivity and reachability of fractional electrical circuits, *Acta Mechanica et Automatica* **3**(1), (in press).
- Kucera, V. and Zagalak, P. (1988). Fundamental theorem of state feedback for singular systems, *Automatica* **24**(5): 653–658.
- Podlubny I. (1999). *Fractional Differential Equations*, Academic Press, New York, NY.
- Van Dooren, P. (1979). The computation of Kronecker's canonical form of a singular pencil, *Linear Algebra and Its Applications* **27**(1): 103–140.



Tadeusz Kaczorek received the M.Sc., Ph.D. and D.Sc. degrees in electrical engineering from the Warsaw University of Technology in 1956, 1962 and 1964, respectively. In the years 1968–69 he was the dean of the Electrical Engineering Faculty, and in the period of 1970–73 he was a deputy rector of the Warsaw University of Technology. In 1971 he became a professor and in 1974 a full professor at the same university. Since 2003 he has been a professor at Białystok Technical University. In 1986 he was elected a corresponding member and in 1996 a full member of the Polish Academy of Sciences. In the years 1988–1991 he was the director of the Research Centre of the Polish Academy of Sciences in Rome. In 2004 he was elected an honorary member of the Hungarian Academy of Sciences. He has been granted honorary doctorates by several universities. His research interests cover the theory of systems and automatic control systems theory, especially singular multidimensional systems, positive multidimensional systems, and singular positive 1D and 2D systems. He initiated research in the field of singular 2D and positive 2D systems. He has published 24 books (six in English) and over 950 scientific papers. He has also supervised 69 Ph.D. theses. He is the editor-in-chief of the *Bulletin of the Polish Academy of Sciences: Technical Sciences* and a member of editorial boards of ten international journals.

Received: 5 July 2010

Revised: 21 October 2010